

Q Lever handle set DG 58.S216.AL.SSWK PZ 92

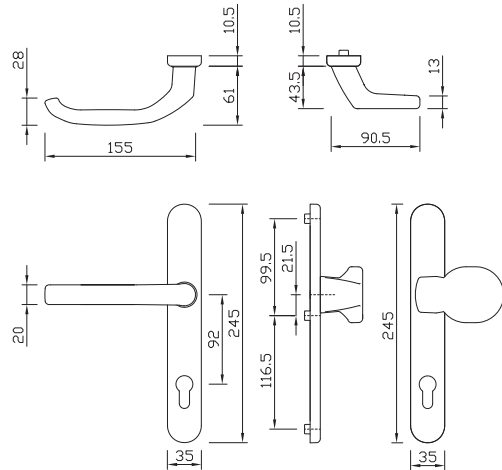
greenteQ lever handles for house front doors made of plastic.

Properties:

The greenteQ lever handle set DG 58.S216.AL.SSWK PZ 92 is made of aluminium and has a plate width of 35 mm. The handle is prepared for a profile cylinder, with a spacing of 92 mm. The angled button fixed on the outer plate is mountable. The lever is mounted on the inner plate in such a way that it is stationary/rotatable and has a holding spring. The greenteQ lever handle set DG 58.S216.

AL.SSWK PZ 92 is preconfigured for an 8 mm square spindle. The outer plate has supporting cams and is fixed in place by means of a concealed screw connection, for which a separate accessories set (3 x M6 screws, 1 x 8 mm square spindle) is required.

Product image and technical drawing:



Technical data:

Material:	Aluminium
Mounting:	Stationary / rotatable with holding spring
For square spindle:	8 mm
Plate dimensions:	35 x 245 mm
Edge height:	10.5 mm
Spacing:	92 mm profile cylinder
Packaging unit:	1 x handle (without accessories set)

Finish:	VBH item number
anodised to a silver colour (F1)	217.270 / 3140
anodised to a bronze colour (F4)	217.270 / 3142
anodised to a dark silver colour (F9)	217.270 / 3143
white coating (RAL 9016)	217.270 / 3144
brown coating (RAL 8019)	217.270 / 3145
PVD chrome polished	217.270 / 3146
PVD gold polished	217.270 / 3147

Accessories set (3 x M6, 1 x 8 mm square spindle)	VBH item number
Door thickness 59–65 mm	396.264 / 5965
Door thickness 64–70 mm	396.264 / 6470
Door thickness 69–75 mm	396.264 / 6970
Door thickness 74–80 mm	396.264 / 7480
Door thickness 79–85 mm	396.264 / 7985
Door thickness 84–90 mm	217.269 / 9206
Door thickness 89–95 mm	217.269 / 9207
Door thickness 94–100 mm	217.269 / 9208

PRODUCT DATA SHEET

DOOR FITTINGS – Lever handle set DG 58.S216.AL.SSWK PZ 92

Edition 03/2015 | www.greenteQ.info

The instructions for use, service and product details as well as other technical information for our greenteQ products are general guidelines. These serve only to describe the properties and performance features of our products and do not constitute a guarantee as per Section 443 of the BGB (German Civil Code). Due to the variety of possible applications, it is incumbent upon the user to test whether or not it is suitable for the desired application. Technical application advice provided by us verbally, in writing or through tests is for your information only and is absolutely non-binding.